



NEXT GEN CROWD GUARD BARRICADE CART

Instruction Guide

Transport barricades efficiently and easily with SONCO's next generation barricade cart.

Designed for events and crowd control projects, it accommodates barricades for easy transportation and storage. The adjustable design fits various barricade types for maximum versatility.



1. PRODUCT OVERVIEW

Feet Style	Wheel
Finish	Hot Dip Galvanized
Height	36 Inches
Length	39 Inches
Width	51 Inches
Material	Steel
Weight	130 Pounds
Model #	BCART30

Made from premium galvanized steel for durability, it features four large wheels for uneven terrain and a next gen handlebar for easy towing.

Load capacity:

With a capacity to transport up to 30 metal barricades, it adjusts from 53.5 inches to 52.4 inches.





Extra:

Built to withstand harsh weather conditions, store in a dry location to prevent damage.



2. FEATURES & BENEFITS

SONCO's barricade cart features:

-  Premium-grade galvanized steel for long service life and durability.
-  The two front wheels feature locking brakes to prevent the cart from rolling or moving during transport in a truck or trailer.
-  Next gen handlebar for easy towing from one location to another.
-  Large load capacity.

Transportation:

Designed to transport up to **30 crowd control barricades** at once, in a variety of sizes.

Storage:

Store extra stands, wheel accessories, and barricade covers. This keeps **barricades organized** and space-efficient while in storage.

Contact SONCO if you need any further assistance.
[888] 766-2615 | [240] 487-2489 | support@soncostore.com
www.soncostore.com



3. SETUP AND ASSEMBLY

Use the QR Code to watch the assembly video

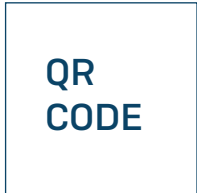
Two people may be required to flip the cart over for wheel installation.



Tools
SONCO recommends:

Socket Wrench
or Impact Wrench
(Power Drill)

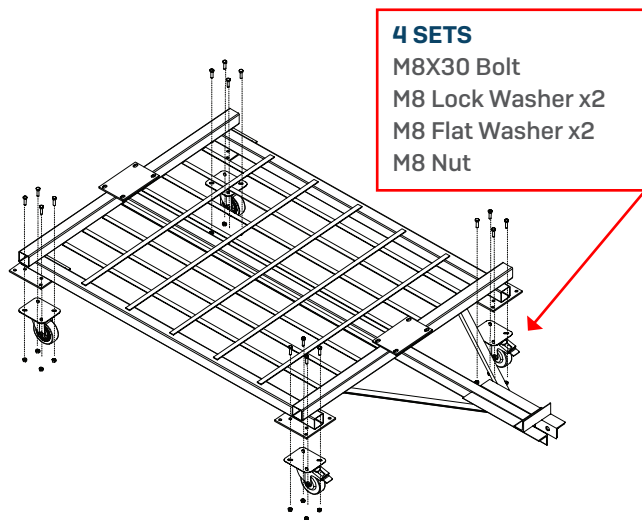
Tools that will
work: Adjustable
Wrench



Step-by-step assembly instructions

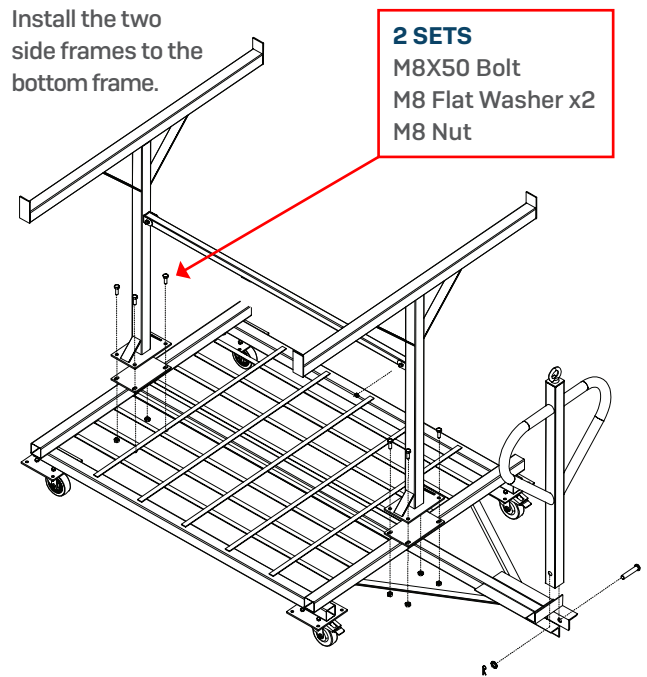
STEP 1

Install the two front casters with brakes to the front of the bottom frame and the two back casters to the back of the bottom frame.



STEP 2

Install the two side frames to the bottom frame.



STEP 3

Install the middle tubing between the two side frames.



STEP 4

Install the cart handle to the hand mount of the bottom frame.

